



Wizard™ AirGlide Operations Manual



For sales, service and spare parts

APM Mouldings 120-130 Bolinda Rd Campbellfield, VIC 3061
Ph: 03 8301 9199 | Fax 03 9357 4077 | Email apmoffice@chamton.com | www.apm-mouldings.com.au

Australian Owned Family Company | Quality Moulding Manufacturers and Distributors

Wizard™ International, Inc.
4600 116th. Street Southwest
Mukilteo, WA 98275-0066 USA

Wizard International Inc. is not responsible for damage or injury as a result of negligence or misuse of the Wizard™ AirGlide
Declares that the machine described below complies with applicable health and safety requirements of Part 1 of Annex 1 of
the Machinery Directive 2006/42/EC.

For information on Wizard™ products and services, or for technical support, call:
888-855-3335 or visit us at www.wizardcutters.com

Wizard™ - Copyright © 2019, Wizard International, Inc.

This product and its documentation are protected by copyright and are distributed under license restricting its use, copying, distribution and
decompilation.

DOCUMENTATION IS PROVIDED "AS IS" AND ALL EXPRESS OR IMPLIED CONDITIONS, REPRESENTATIONS, AND WARRANTIES,
INCLUDING ANY IMPLIED WARRANTY OF MERCHANTABILITY, FITNESS FOR A PARTICULAR PURPOSE OR NON-INFRINGEMENT,
ARE DISCLAIMED, EXCEPT TO THE EXTENT THAT SUCH DISCLAIMERS ARE HELD TO BE LEGALLY INVALID.

Wizard International Inc. reserves the right to implement modifications or improvements to machinery without previous
notice to the customer.

Wizard™ AirGlide Operations Manual

Contents

General Information	4
Safety Placards and Markings.....	5
Advisements and Warnings	6
Minimum Recommended Work Space Requirements:.....	6
User Warnings:	6
Additional Requirements:	6
Wizard™ AirGlide Installation	7
Product Number	7
Items Needed.....	7
Unpacking and Assembly Instructions.....	7
Wall Mount	10
Wizard™ AirGlide Operations Manual.....	12
Replacement Part Product Numbers.....	12
Build up Air Pressure	12
Adjusting the Horizontal Rail Assembly	12
Orientation of Cartridges.....	13
Changing to the Acrylic Cartridge.....	13
Changing the Blade in the Blade Cartridge	13
Changing to the Glass Cartridge.....	14
Changing to the Composite Cartridge	14
Adjusting the Acrylic/Blade/Glass Depth	15
Switches on the AirGlide.....	16
Cutting Glass.....	18
Cutting Composite Materials	19
Maintenance Section.....	20
Wizard™ AirGlide Parts Labelled	20
Maintaining the Machine	20
Problem: Loose, noisy cable or cutting issues with heavier materials.	21
Problem: Uneven or Wavy Cuts	21
Exploded Drawings.....	22
Troubleshooting.....	23
EC Declaration of Conformity	24

General Information

This machine comes with a data plate that contains the following information:

- CE Marking
- Name and address of manufacturer
- Phone number of manufacturer
- Designation of machine (Model)
- Serial number (includes year of manufacturing)
- Maximum Operating Pressure

Wizard International, Inc.
4600 116th ST SW
Mukilteo, WA 98275
Made in the U.S.A.
PH 1-8888-855-3335
Model: Wizard AirGlide
Serial #: PF-XX-YR-00XX
Maximum Operating Pressure: 95 psi



Size, Weight and Packaging Size:

- Width: 99" (2515mm)
- Height: 102" (2591mm)
- Depth: Standalone 49" (1245mm), Wall Mount 20" (508mm)
- Shipping Weight: 120 lbs.
- Packaging (box) Dimension: 95" (2413mm) L 34" (864mm) W 16" (406mm) H

Qualified Material:

- Corrugated Sign Panel up to 0.5"
- Aluminum Composite up to 3mm
- Acrylic up to 0.125"
- PVC up to 0.25"
- Polystyrene up to 0.5"
- Foamboard up to 0.5"
- Glass up to 0.25"

Safety Placards and Markings



General Danger



Cutting of Fingers



Hand Crush



Wear Eye Protection



Wear protective Gloves



Consult Manual



Stay Clear



Tipping Hazard



Caution, Pressurized Device

Advisements and Warnings

Minimum Recommended Work Space Requirements:

- Floor Stand AirGlide – 99” (2515mm) width x 102” (2591mm) ceiling height x 49” (1245mm) depth
- Wall Mount AirGlide – 99” (2515mm) width x 102” (2591mm) ceiling height x 20” (508mm) depth

NOTE: Both are included. Additional workspace is required for material input, as well as the front of the AirGlide for large material handling.

User Warnings:

- Please read and follow all advisements, instructions and warnings in the operation’s manual prior to operating the Wizard AirGlide.
- The Wizard AirGlide should only be operated by a person who is capable of identifying and acknowledging existing and predictable hazards during operation.
- PPE (Personal Protective Equipment) should be worn when operating the AirGlide.
- Before operating, the Wizard AirGlide must be mounted/standing with adequate workspace and lighting on a level and stable surface.
- Keep extremities clear of moving parts during operation.
- Proceed to the operations manual or contact the manufacturer for any questions concerning installation and operation of the Wizard AirGlide prior to use.
- Keep this manual accessible at all times for all operators of the Wizard AirGlide.
- Substrate not considered qualified material by the manufacturer should not be cut on the Wizard AirGlide or damage to the machine or operator could result. Contact the manufacturer with any questions regarding non-qualified material.
- Keep the bottom of the gantry and cutting head clear of obstructions to avoid cutting and crushing injuries.
- Keep the clamping area free of obstructions to avoid cutting and crushing injuries.
- Do not wear jewelry or loose hair or loose clothing when operating.



Additional Requirements:

- Compressed air required, 2.5 SCFM (Standard Cubic Feet/Min) at 100 PSI
– Air Source must have a water separator installed to eliminate condensation in the supply lines.

Wizard™ AirGlide Installation

Product Number

42-60010-1	Wizard AirGlide (Including Floor Stand & Wall Mount)	32-71131-1	Extended Horizontal Frame Assembly
32-01140-1	Third Leg - Floor Stand Only	32-01130-5	Extended Frame Assembly
32-01149-1	Wall Mount - Wall Mount Only	32-01137-3	Extended Leg Assembly
		32-01153-1	Vertical Rail Support Assembly

Items Needed

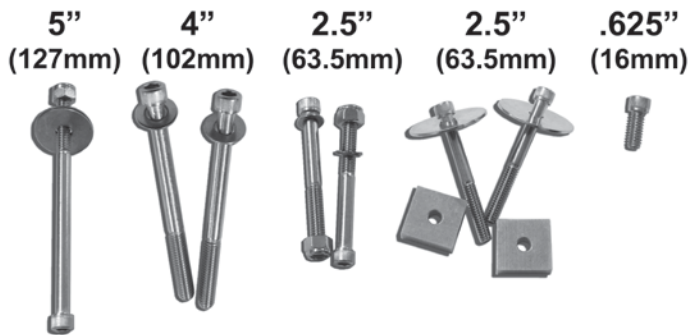
- 1/4" NPT female quick disconnect to the air source.
- Air source that holds at least 100 psi (6.89 Bar). The Air consumption is 2.5 SCFM (Standard Cubic Feet/Min) at 90 PSI (6.2 Bar) Average; 3.5 SCFM at 90 PSI (6.2 Bar) Peak.
- 1/4" Hex Style Wrench
- 3/16" Hex Style Wrench
- 1/2" Open End/Box Wrench
- 1/16" Hex Style Wrench
- 5/32" Hex Style Wrench
- 9/64" Hex Style Wrench

Unpacking and Assembly Instructions

The third leg for the floor stand is included in the box.

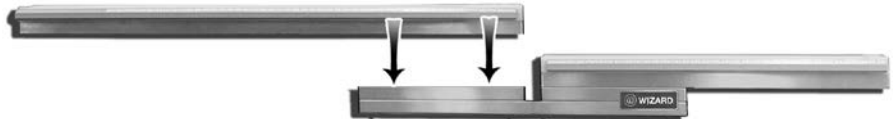
The Accessory Kit contents: (1) blade cartridge, (50) blades, (2) material stops, (2) square spacers, screws and bolts, wall mount bracket, (optional) AirGlide Acrylic Cartridge, (optional) AirGlide Glass Cartridge, (optional) AirGlide Composite Cartridge.

1. Place the AirGlide box on a level surface.
2. Using two people, carefully remove the gantry, extended rail, horizontal rail and third leg or wall mount from the box. Lay them on a flat surface, making sure that the control panel is facing up to keep the control panel shroud from becoming bent. Inspect components and kitting to assure all parts were received, and inspect for damage at this time.





3. Carefully remove the back board assemblies from the box and place them on a flat surface. Note the right back board assembly has a ruler affixed to it.



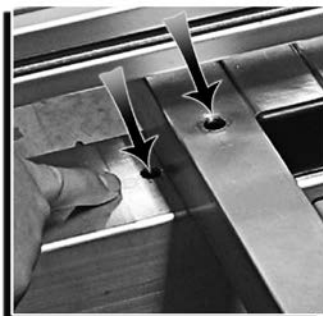
4. Locate the Extender Rail and the Horizontal Rail. Attach the Extender to the Horizontal Rail, making sure that both rulers are facing upwards. The screw goes into and through the Horizontal Rail and into the Extender Rail.

5. View the assembled Extender Horizontal Rail from the top and note that one side is deeper than the other.

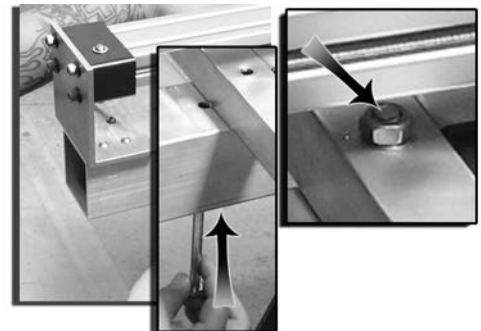


6. Remove the back stabilizer from the back left side of the horizontal rail by removing the three screws holding it in place.

7. Lay the gantry and vertical frame assembly on a flat surface facing you, carefully insert the thinner left hand side into the lower gantry opening until you reach the center of the horizontal rail.



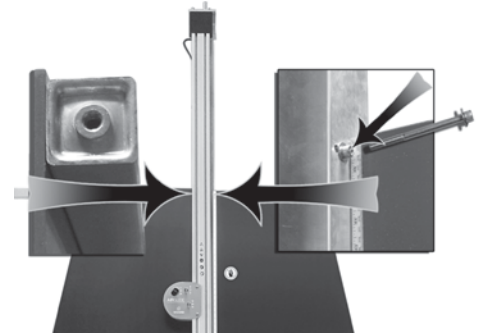
8. Line up the hole on the Horizontal Rail to the hole in the frame. Insert the 5" (127mm) bolt with washer through the hole in the back of the frame, and into the hole in the horizontal rail. Loosely secure with a washer and bolt from the front of the horizontal rail.





9. Lay the back board with the attached leg against the frame, lining up the screw hole on the top inside corner of the back board to the screw hole on the frame.

10. Insert the 4" (102mm) bolt with washer from the other side of the frame, then into the back board. Loosely secure.



11. Repeat with the other back board assembly.



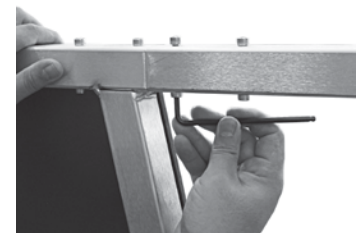
The bottom of the back board assemblies attach to the back of the horizontal rail.

12. Locate the square spacer(s). Insert the 2.5" (63.5mm) bolt with fender washer into the back of the leg, through the square spacer, then insert the bolt into the back of the horizontal rail and loosely tighten.

13. Locate the Extender Support bars. Insert them into the top left corner of the leg. Secure them into position with two .625" (16mm) screws on the top and one .625" (16mm) screw on the bottom.

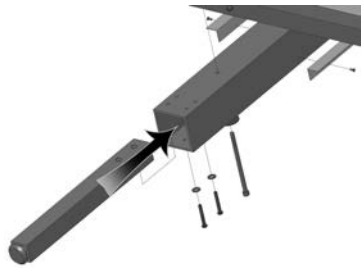


14. Locate the Extender Leg. Insert the Extender Support bars into the Extender Leg. Secure into place with two .625" (16mm) screws along the top and two .625" (16mm) screws on the bottom of the Extender Leg.

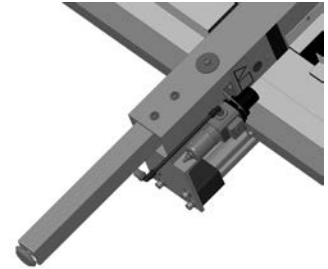




15. Secure the bottom portion of the Extender Leg to the Extender Horizontal Bar with the screw and washer. Insert the 2.5" (63.5mm) bolt with fender washer into the back of the leg, through the square spacer, then insert the bolt into the back of the horizontal rail and loosely tighten.

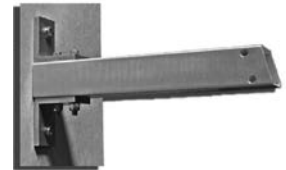


16. Secure the vertical rail support (located in the accessory box) with a screw and washer (noting the orientation of the rivet nuts pictured in the image on the left), by inserting the screws through the washers, the vertical rail and into vertical rail support and tighten. Once the AirGlide is upright, adjust the foot (pictured in the image on the right) accordingly to support the vertical rail.



Wall Mount

When using the Wall Mount, the bracket should be mounted on the centerline of a wall stud. The height from the floor to the bottom mounting hole on the bracket is 63" (1600mm). The upper mounting hole is 4.25" (108mm) above the bottom mounting hole (i.e., 67.25" [1708mm] -above the floor).

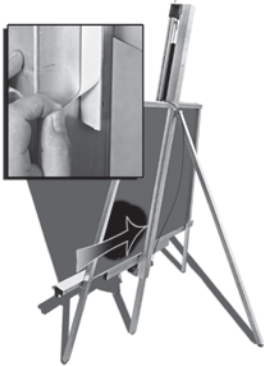


1. Locate the Mounting Bracket near the top back of the frame.
2. Insert either the **third leg or wall mount bracket**. If securing to the wall mount or installing the third leg, use one person to hold the AirGlide in place and one person to secure it to the mounting bracket.
3. Secure with the bolt inserted into the mounting bracket first into the leg/wall mount, then into the other side of the mounting bracket.



4. Fasten in place with a bolt.

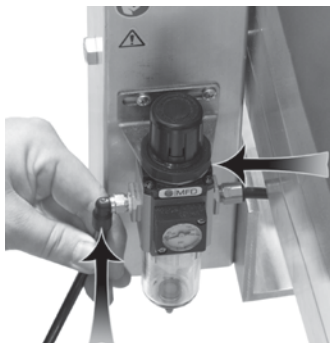
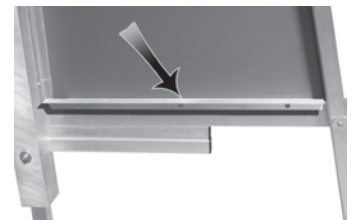
Level the AirGlide, if required, by adjusting the feet attached to the base of the legs.



With the AirGlide in a standing position, push gently on the backing board from the back to reveal the double-sided adhesive on the length of the frame behind the backing board.

Starting at the bottom, remove the paper covering the adhesive from the double-sided tape. Once the paper covering has been removed, firmly push the backing board against the length of the gantry to secure the bond of the double-sided tape to hold the backing board in place.

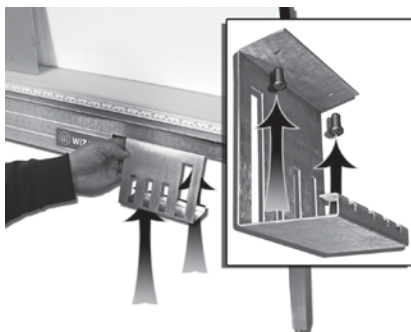
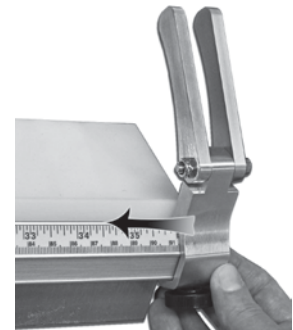
Reattach the left side backing board stabilizers to the back of the AirGlide at the base of the backing board, using three bolts on each stabilizer. Leave the stabilizers loose until squaring is complete.



Attach the airline from the accessories kit into the left side of the air regulator. The other end of the airline attaches to the air source.

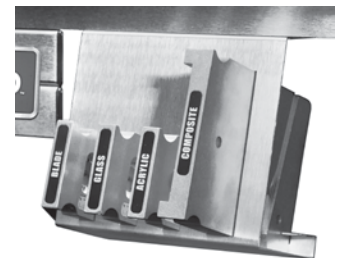
Locate the material stops and slide them onto the rail from each end.

NOTE: Be sure to put the material stop with the short fingers on the left side rail.



Unscrew the two button screws underneath the right side of the bottom rail. Use these two screws to attach the Cartridge Holder to the bottom rail by screwing them behind the top of the Cartridge Holder into the bottom rail.

The cartridges slide into the Cartridge Holder for storage when not in use.



See [Adjusting Horizontal Rail Assembly](#) in the Operations Manual, for instructions on squaring the horizontal rail.

Once the horizontal rail is leveled, go back and retighten all of the screws on the AirGlide.

The AirGlide is now assembled and is ready for use.

Wizard™ AirGlide Operations Manual

Replacement Part Product Numbers

- 32-08200-1 Acrylic Cartridge
- 22-08201-1 Replacement Scoring Blade for Acrylic Cartridge
- 32-05110-1 Blade Cartridge
- 22-05000-1 Replacement Blades for Blade Cartridge (10/pk)
- 32-05111-1 Blade cover
- 32-07200-1 Composite Cartridge
- 22-07010-1 Replacement Cutter Wheels for Composite Cartridge
- 32-06005-1 Glass Cartridge
- 32-06010-1 Replacement Cutting Wheel for Glass Cartridge
- 32-01006-1 Material Stop, Dual Left
- 32-01005-1 Material Stop, Dual Right



Build up Air Pressure

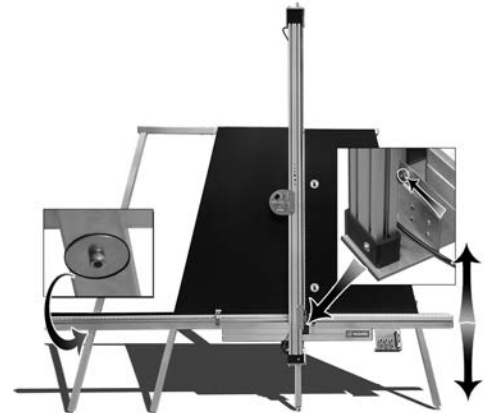
When you first turn on the air compressor, you may hear air escaping from the Air Regulator. If the pressure does not build up fast enough, you may need to hold your finger on the tip of the Air Regulator until it builds up enough air pressure to seal the Air Regulator to keep the air from escaping.



Adjusting the Horizontal Rail Assembly



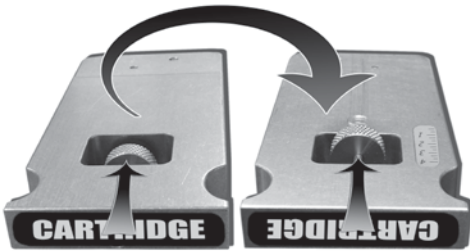
1. Place a large framer's square into the AirGlide and line it up against the vertical frame. If it does not sit level on the vertical frame, the horizontal rail assembly needs to be adjusted.
2. There is a screw on the back of the horizontal rail assembly where it attaches to each leg, and one screw in the center behind the Gantry arm. Loosen each of the three screws just enough to adjust the horizontal bar.
3. Pivot the horizontal bar at the center screw until it sits up level against the mat board.



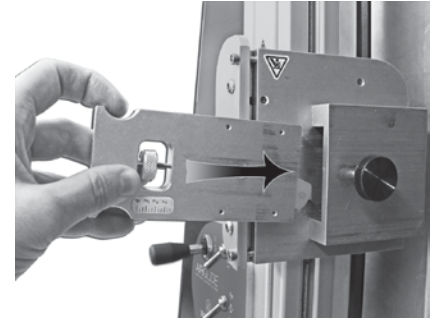
Tighten each screw at the leg, then tighten the center screw.

4. Go back and tighten both stabilizers.

Orientation of Cartridges

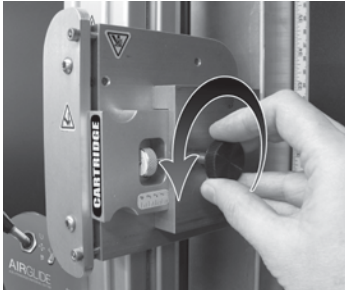


The cartridges will only fit into the AirGlide in one direction. The Blade Depth Adjustment Thumbwheel protrudes about .25" (6mm) on the right side of the cartridge.

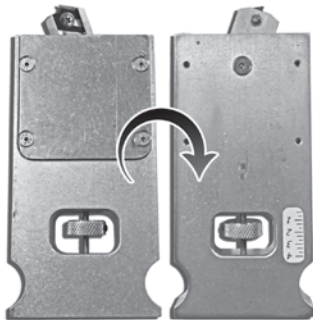
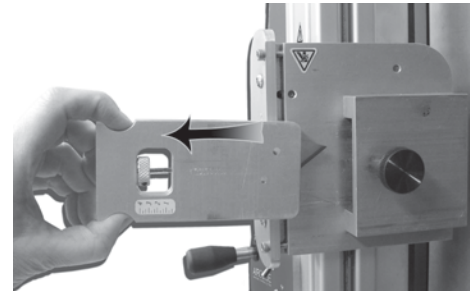


Keep the protruding Blade Depth Adjustment Thumbwheel on the right side when inserting it into the AirGlide.

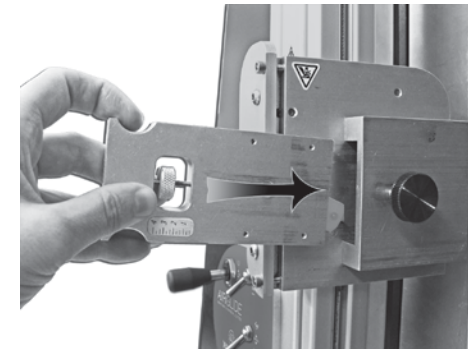
Changing to the Acrylic Cartridge



1. Loosen the Cartridge Release knob.
2. Pull out the current Cartridge from the cutting head.



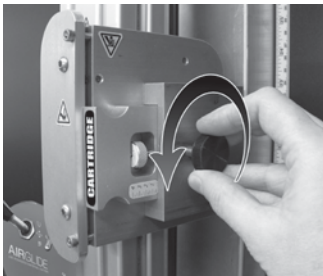
3. Locate the Acrylic Cartridge.
4. Insert the Acrylic Cartridge keeping the protruding Acrylic Cartridge Depth Adjustment Thumbwheel on the right side.



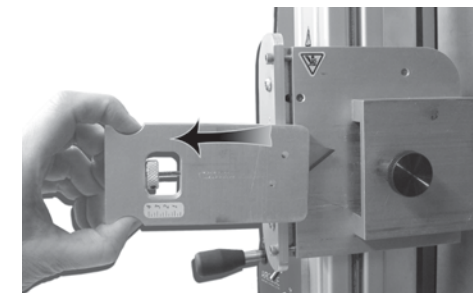
5. Tighten the Cartridge Release knob to lock it into place.

NOTE: It is not necessary to remove the protective coating from Acrylic before using the Acrylic Cartridge.

Changing the Blade in the Blade Cartridge

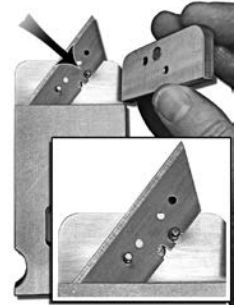


1. Loosen the Cartridge Release knob.
2. Pull out the Blade Cartridge.

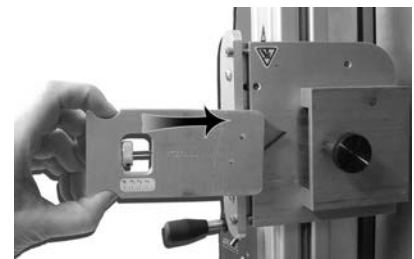




3. Remove the Cover from the Blade Cartridge.
4. Replace the blade, making sure that the blade aligns to the first notch.
5. Replace the cover to the Blade Cartridge, allowing the magnet to snap onto the Blade.



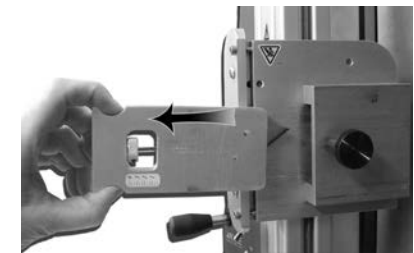
6. Insert the Blade Cartridge keeping the protruding Blade Depth Adjustment Thumbwheel on the right side.
7. Tighten the Cartridge Release knob to lock it in place.



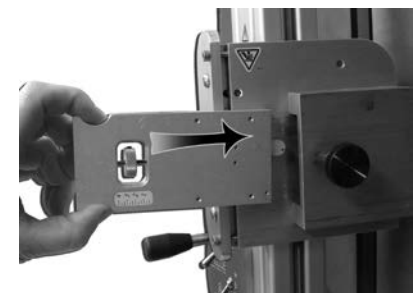
Changing to the Glass Cartridge



1. Loosen the Cartridge Release knob.
2. Pull out the current Cartridge.
3. Locate the Glass Cartridge.



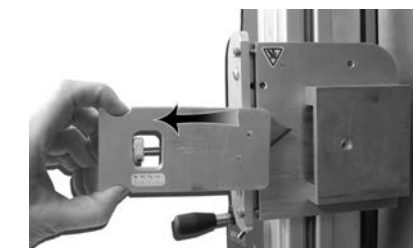
4. Insert the Glass Cartridge keeping the protruding Glass Cartridge Depth Adjustment Thumbwheel on the right side.
5. Tighten the Cartridge Release knob to lock it into place.

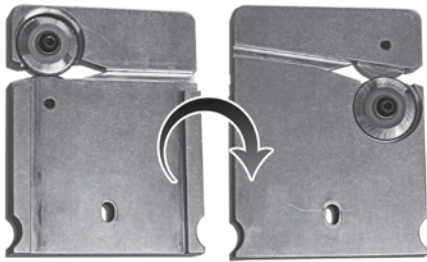


Changing to the Composite Cartridge



1. Remove the Cartridge Release knob.
2. Pull out the current Cartridge.



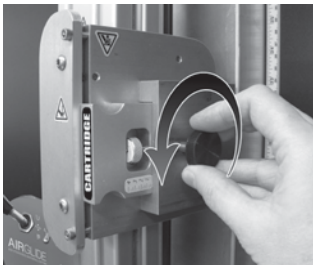


3. Place the Composite Cartridge on the outside of the cartridge housing with the blades toward the back of the AirGlide.

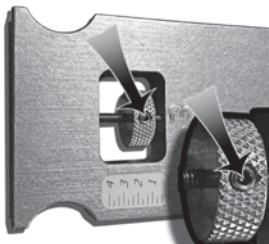


4. Replace and tighten the Cartridge Release knob to lock it into place.

Adjusting the Acrylic/Blade/Glass Depth



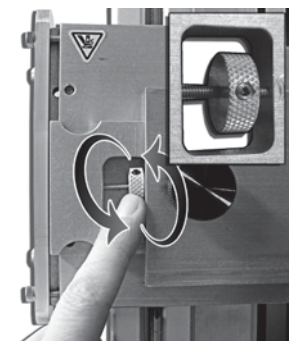
1. Loosen the Cartridge Release knob.

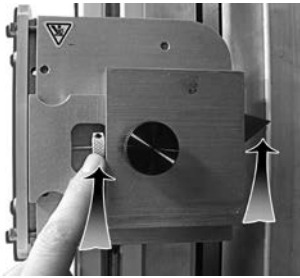


2. Loosen the 1/16" set screw on the Blade Depth Adjustment Thumbwheel.

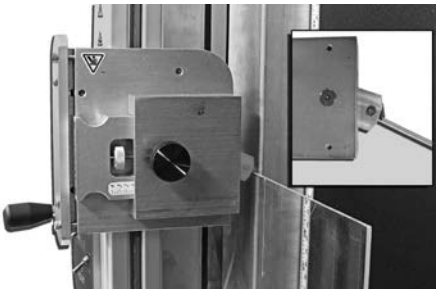
3. Turn the Blade Depth Adjustment Thumbwheel to adjust the cartridge depth. The Blade Depth Adjustment Thumbwheel controls the depth of the acrylic/blade/glass cutter by impeding how far the cartridge can be inserted into the head. Note that the (Optional) Composite Cartridge has no depth adjustment. See the desired tool for optimum depth:

- [Setting Acrylic Depth](#)
- [Setting Blade Depth](#)
- [Setting Glass Depth](#)



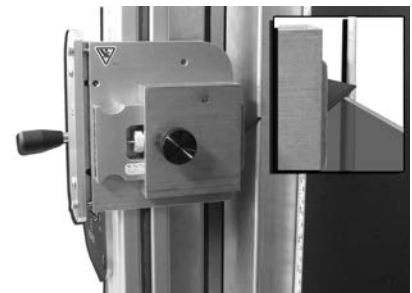


4. Push the cartridge into the cutting head to re-measure how far the cartridge tool is located in reference to the material being cut.
5. Once the desired blade depth is set, tighten but don't overtighten the 1/16" set screw on the blade depth thumb wheel to lock it into place.
6. Press the cartridge into the head and tighten the Cartridge Release knob.



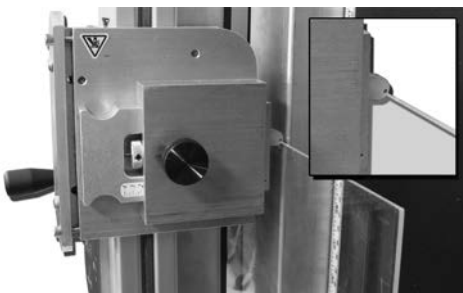
Setting Acrylic Depth

The Acrylic Cartridge depth should extend the scoring stylus to the mid-point of the material thickness being scored.



Setting Blade Depth

The Blade Cartridge depth should extend the blade past the vertical board rail, and should extend past the thickness being cut.



Setting Glass Depth

The Glass Cartridge depth should extend the apex of the glass cutting wheel to the mid-point of the material thickness being cut.

Switches on the AirGlide

Cut Lever

Pull the cut lever down to move the trolley down the gantry; push the cut lever up to move the trolley up the gantry.

Remove the material that has been cut before returning the trolley to the top of the gantry.



Clamp Toggle



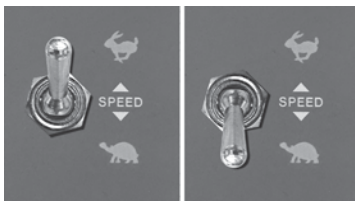
Up - To engage/lock clamp.

Down - To release/unlock clamp.

The clamp is to be engaged prior to cutting materials other than glass. Do Not Engage Clamp if cutting glass.

WARNING: Do not Engage Clamp when cutting glass. The glass is cut unclamped.

Cut Speed Toggle



Up/Fast - Normal speed for cutting standard materials.

Down/Slow - Reduced speed for cutting glass.

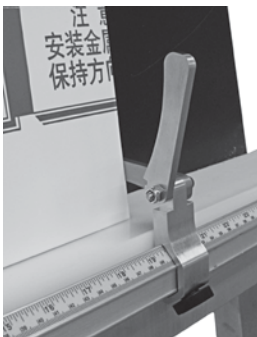
Material Stops



There are two Material Stops. Their placement can be adjusted by turning the black thumbscrew to loosen it, sliding it to the desired position, then turning the black thumbscrew to tighten it into place. They can also be rotated up out of the way when not in use. Use the left side of the material stop to set the particular position on the ruler.



The General Material Stop is silver colored. Use this stop for the blade, glass and acrylic use.



The Composite Material Stop is gold colored. The Composite Material Stop is offset to compensate for the (Optional) Composite Cartridge placement so that measurements of the material from the ruler along the bottom rail are correct. Use this stop when using the composite cartridge.

Cutting Glass



Note: Make sure that the glass cutter wheel is lubricated with a drop of light alcohol based oil (not provided) to ensure smooth cutting operation.

1. Insert the Glass Cartridge.

2. Place glass to be cut onto the AirGlide, aligning it to the Material Stop.



3. Turn the speed toggle to SLOW.

4. DO NOT Engage Clamp!

WARNING: Do not use the Clamp when cutting glass. You may risk injury.

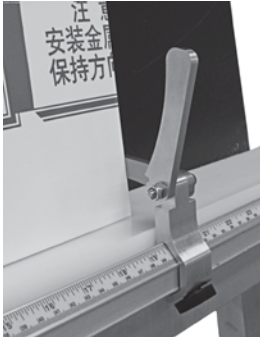


5. Pull the Cut lever down to cut the glass.

6. Remove the glass.

7. Push the cut lever up to return the trolley to the top of the gantry.

Cutting Composite Materials



1. Rotate the silver Material Stop up so that the gold colored Composite Material Stop can be used. The Composite Material Stop is offset to compensate for the position of the Composite Cartridge.

Place the material to be cut onto the AirGlide, aligning it to the Composite Material Stop.

2. Turn the speed toggle to fast.



3. Engage clamp.

4. Pull the Cut lever down to cut the material.

5. Release clamp.

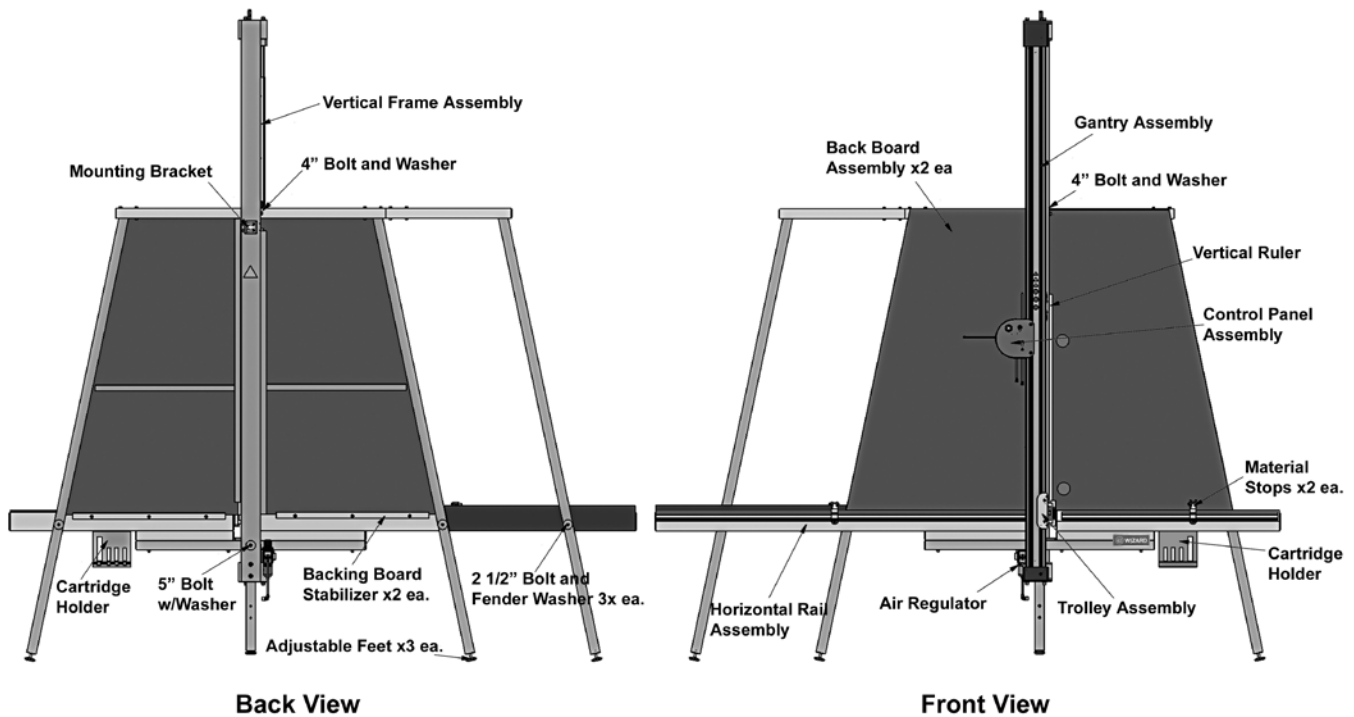
6. Remove the material.

7. Push the cut lever up to return trolley to the top of the gantry.



Maintenance Section

Wizard™ AirGlide Parts Labelled



Maintaining the Machine

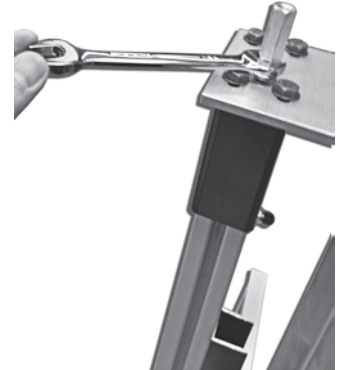
- The AirGlide is pressurized. Disconnect AirGlide from air source prior to servicing.
- Frequently apply a drop of light alcohol based oil to the glass cutting wheel.
- Keep the horizontal rail assembly surface clean of debris. Brush away all glass and substrate accumulation with a light brush.
- Check trolley wheel tension and wear monthly. Adjust or replace wheel assemblies when needed. (See Maintenance section of Operation's Manual)
- Check AirGlide for parallel and perpendicularity between gantry and frame monthly. Adjust when needed (See the Operation's section of Operation's Manual).
- Check trolley cable tension. Cable tension should be 10 lbs. at 1" (25mm). (See Maintenance section of Operation's Manual)
- Drain the water separator on the air regulator weekly.
- DO NOT use the clamp when scoring or breaking glass.

Problem: Loose, noisy cable or cutting issues with heavier materials.

Resolution: Adjust Cable Tension

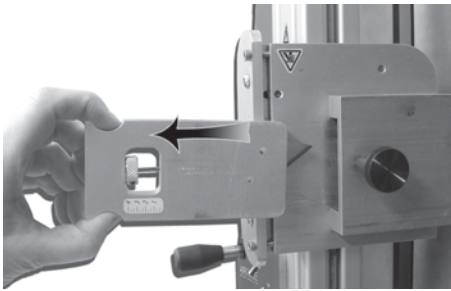


1. Move the trolley to the center of the gantry.
2. Hook the steel cable on the right side of gantry with a scale.
3. Pull the scale down until you have reached 1" (25mm) of space and check the scale measurement.
4. A properly tensioned AirGlide should be around 10lbs. at 1" (25mm).
5. If you are under 10lbs. at 1" (25mm), turn the cable tensioning nut at the top of the gantry clockwise 1/2 turn at a time.
6. Measure with the scale again and repeat until the recommended tension is attained.



Problem: Uneven or Wavy Cuts

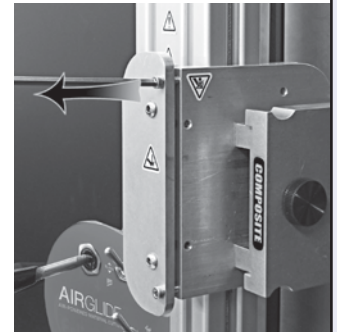
Resolution: Adjust Loose Trolley Wheels



1. Remove the blade cartridge.

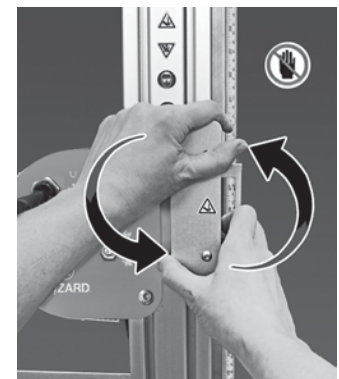


2. Loosen the two 9/64" screws on the right edge of the Trolley face; one at the top and one at the bottom. Loosen them until the Trolley is loose; about one full turn.



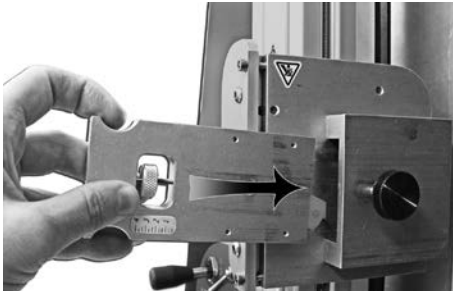
3. Loosen each Trolley wheel adjustment Hex screw until the wheels are loose; about one full turn.

4. The wheels are spring-loaded and will pop into place.



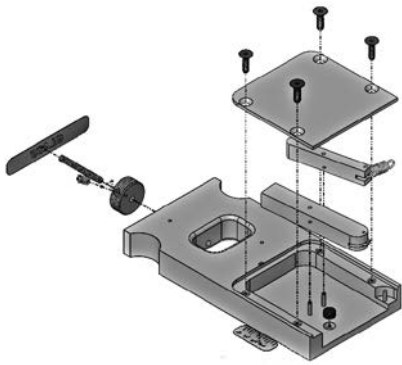
5. Grasp the trolley with both hands and rock it back and forth to ensure that the Wheels are lined up to the Gantry Grooves.

6. Once the wheels are properly seated, re-tighten the Hex screws on the Trolley wheels and the Hex screws on the Trolley face.

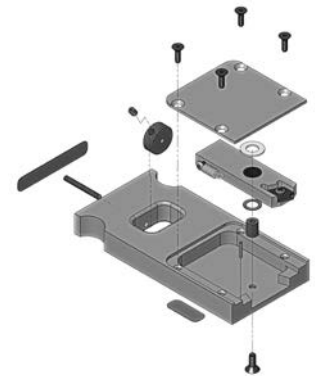


7. Reinstall the blade cartridge.

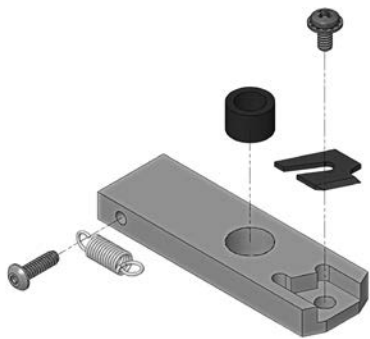
Exploded Drawings



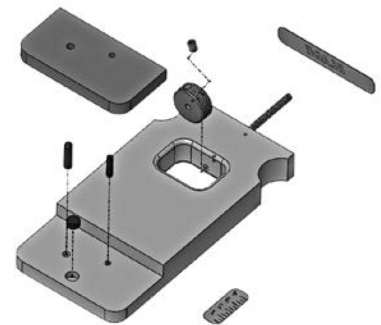
Glass Cartridge



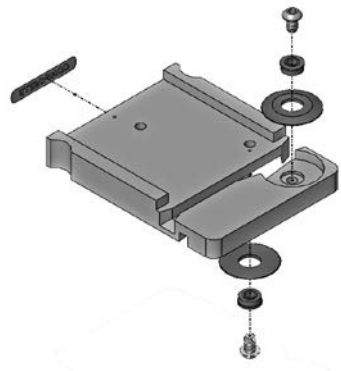
Acrylic Cartridge



Acrylic Cartridge Blade Holder



Blade Cartridge



Composite Cartridge

Troubleshooting

Category	Issue	Probable Cause	Action
Glass	Wheel Skips or Poor Break	Worn wheel assembly Wheel Depth too shallow Dirty glass	Replace wheel assembly Adjust blade depth Clean glass
	Score Line is Chipping or Flaking	Scoring depth set too deep	Adjust blade depth adjustment thumbwheel
Other Substrate	Material buckles or deforms	Not clamped	Use Clamp
	Cutting edge frayed or damaged	Dull utility blade	Replace utility blade
Dimensional Issue	Dimensions incorrect Cut edge out of square	Rulers out of position Debris on horizontal rail assembly surface Gantry to horizontal rail perpendicularity is incorrect	Reposition rulers Clean horizontal surfaces Re-square AirGlide (See Adjusting Horizontal Rail Assembly)

EC Declaration of Conformity

EC Declaration of Conformity



Manufacturers' Name: Wizard International, Inc.
Manufacturers' Address: 4600 116th Street SW
Mukilteo, WA 98275
Ph: 1-888-855-3335
www.wizardint.com

Declares that the machinery described below complies with applicable health and safety requirements of Part 1 of Annex 1 of the Machinery Directive 2006/42/EC.


Confidential technical documentation has been compiled in accordance with Part A of Annex VII of Machinery Directive 2006/42/EC and is available to European national authorities on written request only. If a request is received documentation will be delivered on a CD or by post.

Description: Pneumatic Material Cutter
Model Number: PMC
Specification: Substrate Cutter

The following standards have either been referred to or been complied with in part or in full as relevant:

EN/ISO 12100-1: 2010	Machinery Safety- Safety of Machinery General Principals for Machine Design
EN/ISO 14121-1:2007	Safety of Machinery – Principals for Risk Assessment
EN 953:1997+AMD1:2009	Equipment Guarding
EN/ISO 4414:2010	Pneumatic Fluid Power – General Rules & Safety
EN 614-2:2000+A1:2008	Machinery Safety - Ergonomic Design Principals

Full Name of responsible person and place of signing: Edd Pratt - Mukilteo, Wa


Signature

Position: General Manager

Date 2/22/14