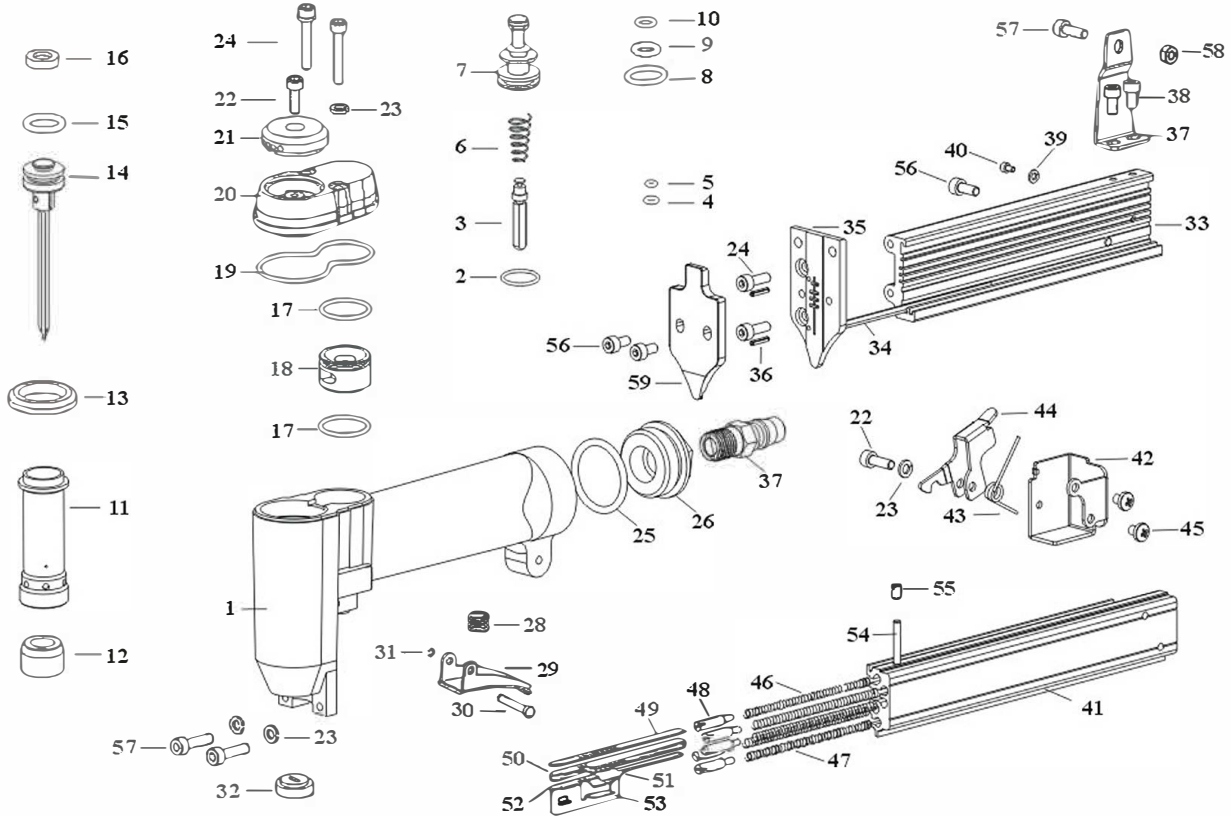


**SPECIFICATIONS AND TECHNICAL DATA**

**PGD01**

<b>Product Number</b>	<b>PGD01</b>	<b>23 gauge pins</b> 
<b>Height</b>	<b>165mm</b>	
<b>Width</b>	<b>40mm</b>	
<b>Length</b>	<b>215mm</b>	
<b>Weight</b>	<b>0.9KG</b>	
<b>Operating Pressure</b>	<b>0.40 to 0.70 MPa (60 to 100 PSI)</b>	
<b>Loading Capacity</b>	<b>100 Nails</b>	
<b>Accessories</b>	<b>Hex. Bar wrench</b>	



Index	Description	Code	Index	Description	Code	Index	Description	Code
1	Main Body	A004801	21	Exhaust Cap	A001403	41	Side Cover	A005711
2	O-Ring 12.9*2.8	E01129280	22	Hex Bolt M4*12	E1404012	42	Tail Cover	A005712
3	Valve Core	A001501	23	Washer4	E21040	43	Spring	A005714
4	O-Ring 3.1*1.8	E01031180	24	Hex Bolt M4*25	E1404025	44	Trigger	A005713
5	O-Ring 1.8*1.8	E01018180	25	O-Ring 26*3	E01260300	45	Screw M4*6	E1204006
6	Spring	A001502	26	Joint	A001906	46	Spring	A005716
7	Valve	A001301	27	Air Plug	E02111	47	Spring	A001704
8	O-Ring 13.7*2.3	E01137230	28	Spring	A001902	48	Push Rod	A005715
9	O-Ring 7.4*2.6	E01074260	29	Trigger	A001901	49	Sliding Block1	A005706
10	O-Ring 5.8*1.7	E01058170	30	Pin	A001903	50	Sliding Block2	A005707
11	Cylinder	A001201	31	E-Ring	A001904	51	Sliding Block3	A005708
12	Bumper	A001202	32	Nozzle	A001905	52	Sliding Block4	A005709
13	Seal	A001203	33	Magazine	A005703	53	Pusher	A005710
14	Driver Asseembly	A005003	34	Stell Bar	A005704	54	Pin 3*20	E2403020
15	O-Ring 12.6*2.8	E01126280	35	Driver Guide	A005702	55	Screw M4*6	E1604006
16	Piston Stopper	A001103	36	Pin 2*10	E2702010	56	Hex.Bolt M4*8	E4604008
17	O-Ring 18.9*1.8	E01189180	37	Bracket	A005705	57	Hex Bolt M4*14	E1404014
18	Valve Guide	A001404	38	Hex Bolt M4*6	E1404006	58	Hex Nut M4	E08040
19	8-Ring	A001402	39	Washer3	E21030	59	Driver Guide Cover	A005701
20	Cylinder Cap	A001401	40	Hex Bolt M3*4	E1403004			



For sales, service and spare parts

[www.apm-mouldings.com.au](http://www.apm-mouldings.com.au)

APM Mouldings 120-130 Bolinda Rd Campbellfield, VIC 3061  
Ph: 03 8301 9199 | Fax 03 9357 4077 | Email [apmoffice@chamton.com](mailto:apmoffice@chamton.com)  
[www.apm-mouldings.com.au](http://www.apm-mouldings.com.au)

Australian Owned Family Company  
Quality Moulding Manufacturers and Distributors



FOR ORDERS  
Available 24/7

