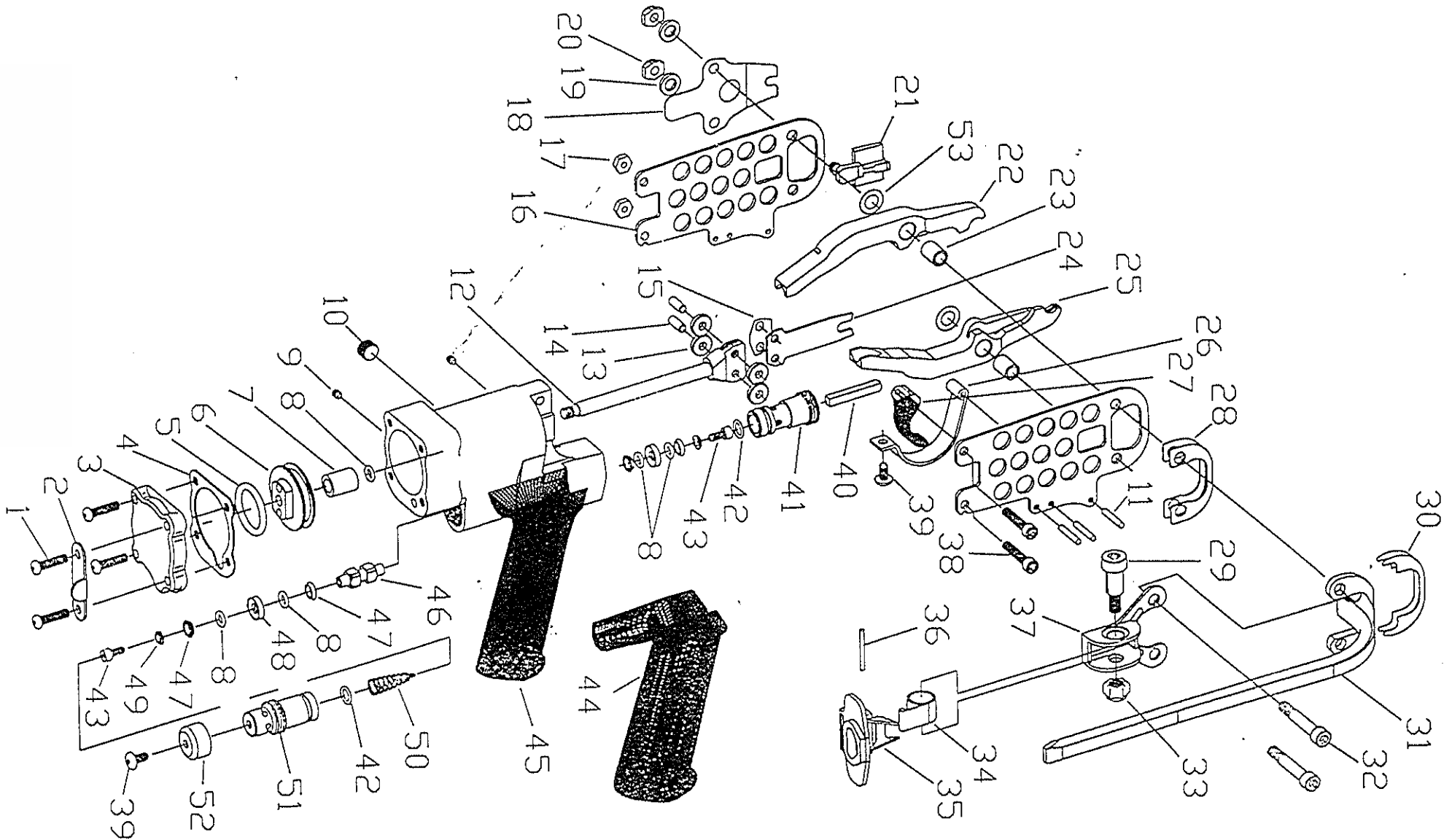


CRIMPING GUN

TO INSTALL RING HANGERS FOR WORKSTATION USE:

- 1) REMOVE TWO SCREWS ON LEFT SIDE OF REAR ENDPLATE.
- 2) RE-PASTEN SCREWS WITH RING HANGERS ATTACHED (RINGS SHOULD BE ON LEFT SIDE WHEN VIEWING FROM REAR)
- 3) BE CAREFUL NOT TO OVERTIGHTEN SCREWS TO PREVENT GASKET FROM BEING DEFORMED.



ITEM	DESCRIPTION	PART NUMBER	QTY
1	SCREW, BHC #1D-24 X 1"	TL77D216	4
2	BRACKET, PUSHER HOOK	B04586	1
3	CAP, END	B04582	1
4	GASKET	B04583	1
5	"O" RING	SC10	1
6	PISTON	B04580	1
7	BUSHING, PISTON ROD	SC102	1
8	"O" RING	SC08	5
9	SCREW, SET	SC23	2
10	PLUG, MANIFOLD 1/8 - 27	1753	1
11	PIN, ROLL	SC05	3
12	ROD, PISTON	B04581	1
13	ROLLER	B01140	4
14	PIN, ROLLER	SC01	2
15	SHIM, FEEDER BLADE	A03116	1
16	SIDE PLATE (L & R)	B04584F	2
17	NUT, NYLOCK	SC77	2
18	SPRING, LATCH	B01438F	1
19	WASHER, JAW BOLT	B01442	2
20	NUT, NYLOCK	SC13	2
21	LATCH	B04666	1
22	JAW, UPPER	C02417F	1
23	BUSHING, JAW	B01441	2
24	BLADE, FEDDER	B032831F	1
25	JAW, LOWER	C02420F	1
26	GUARD, TRIGGER	B01435F	1
27	TRIGGER	A02073F	1
28	SHIM, MAGAZINE .030"	A01911	2
29	BOLT, SPLIT SPRING	A02592	1
30	SHIM, MAGAZINE (.010")	B1545010	A/R
	SHIM, MAGAZINE (.005")	B1545005	
31	MAGAZINE BODY	B01991F	1
32	BOLT, JAW	B01507	2
33	NUT, FLEXLOK	TL727200	1
34	SPRING, PUSHER	B01444	1
35	PUSHER, FINISHED	B014592F	1
36	PIN, ROLL 3/32" X 1"	SC12	1
37	BRACKET, 1/2" SPRING SPOOL	C04585	1
38	SCREW, SHC #10-24 X 1"	TL710216	2
39	SCREW, BUTTON HEAD CAP	SC18	2

40	STEM, THROTTLE	B01425F	1
41	SEAT, FRONT VALVE	B03042	1
42	"O" RING	SC09	2
43	SCREW, SHC VALVE	SC21	2
44	GRIP	C03916	1
45	HOUSING, MACHINED	D04579F	1
46	SPACER, THROTTLE VALVE	B03044	1
47	SUPPORT, "O" RING END	B01421	4
48	SUPPORT, "O" RING CENTER	B01422	2
49	WASHER, THROTTLE VALVE	B01455	2
50	SPRING, VALVE	B04587	1
51	SEAT, REAR VALVE	B03043	1
52	DEFLECTOR, AIR	B01426	1
53	WASHER, SPRING	B01891	1

"A/R" DENOTES AS REQUIRED FOR OPTIMUM PERFORMANCE

ASSEMBLIES
DESCRIPTION ITEMS INCLUDED
CYLINDER HOUSING COMPLETE
(SMALL SC7) AD04579F

7,8,10,44,45



For sales, service and spare parts

www.apm-mouldings.com.au

APM Mouldings 120-130 Bolinda Rd Campbellfield, VIC 3061
Ph: 03 8301 9199 | Fax 03 9357 4077 | Email apmoffice@chamton.com
www.apm-mouldings.com.au

Australian Owned Family Company
Quality Moulding Manufacturers and Distributors



FOR ORDERS
Available 24/7

